

BALDOR® • RELIANCE 

Product Information Packet

M1726T

10/4.4HP, 1760/1170RPM, 3PH, 60HZ, 254T

Part Detail							
Revision:	Z	Status:	PRD/A	Change #:		Proprietary:	No
Type:	AC	Elec. Spec:	07WGX115	CD Diagram:	CD0013	Mfg Plant:	
Mech. Spec:	07H203	Layout:	07LYH203	Poles:	04/06	Created Date:	
Base:	RG	Eff. Date:	07-11-2019	Leads:	6#14		

Specs			
Catalog Number:	M1726T	Insulation Class:	F
Enclosure:	TEFC	Inverter Code:	Not Inverter
Frame:	254T	KVA Code:	H
Frame Material:	Iron	Lifting Lugs:	Standard Lifting Lugs
Output @ Frequency:	4.400 HP @ 60 HZ	Locked Bearing Indicator:	No Locked Bearing
	10.000 HP @ 60 HZ	Motor Lead Quantity/Wire Size:	6 @ 14 AWG
Synchronous Speed @ Frequency:	1200 RPM @ 60 HZ	Motor Lead Exit:	Ko Box
Voltage @ Frequency:	460.0 V @ 60 HZ	Motor Lead Termination:	Flying Leads
XP Class and Group:	None	Motor Type:	0750M
XP Division:	Not Applicable	Mounting Arrangement:	F1
Agency Approvals:	UR	Product Family:	General Purpose
	CSA	Pulley End Bearing Type:	Ball
Auxillary Box:	No Auxillary Box	Pulley Face Code:	Standard
Auxillary Box Lead Termination:	None	Pulley Shaft Indicator:	Standard
Base Indicator:	Rigid	Rodent Screen:	None
Bearing Grease Type:	Polyrex EM (-20F +300F)	Shaft Extension Location:	Pulley End
Blower:	None	Shaft Ground Indicator:	No Shaft Grounding
Current @ Voltage:	12.500 A @ 460.0 V	Shaft Rotation:	Reversible

Design Code:	B	Shaft Slinger Indicator:	No Slinger
Drip Cover:	No Drip Cover	Speed Code:	2S-2W-VT
Duty Rating:	CONT	Motor Standards:	NEMA
Electrically Isolated Bearing:	Not Electrically Isolated	Starting Method:	Direct on line
Feedback Device:	NO FEEDBACK	Thermal Device - Bearing:	None
Front Face Code:	Standard	Thermal Device - Winding:	None
Front Shaft Indicator:	None	Vibration Sensor Indicator:	No Vibration Sensor
Heater Indicator:	No Heater	Winding Thermal 1:	None
		Winding Thermal 2:	None

Nameplate NP1256L										
CAT.NO.	M1726T									
SPEC.	07H203X115									
HP	10/4.4									
VOLTS	460									
AMP	12.5/6.7									
RPM	1760/1170									
FRAME	254T				HZ	60			PH	3
SER.F.	1.15			CODE	H	DES	B		CLASS	F
NEMA-NOM-EFF					PF					
RATING	40C AMB-CONT									
CC					USABLE AT 208V					
DE	6309				ODE	6307				
ENCL	TEFC			SN						

Parts List		
Part Number	Description	Quantity
SA064725	SA 07H203X115	1.000 EA
RA058876	RA 07H203X115	1.000 EA
HW3201A01	1/2-13 EYEBOLT	1.000 EA
09CB3002SP	CB W/1.38 LEAD HOLE FOR 37, 39, 307 & 30	1.000 EA
09GS1000SP	GASKET-CONDUIT BOX, 1/16 THICK LEXIDE	1.000 EA
51XW2520A12	.25-20 X .75, TAPTITE II, HEX WSHR SLTD	2.000 EA
WD1000B16	T&B CX70TN OR L70P TERMINAL LUG	1.000 EA
59XW2520G07	.25-20X.44,HEX SER WSHR,TAPTITE 2,GREEN	1.000 EA
37PE1101A03	FR/PU ENDPLATE, MACH	1.000 EA
HW4500A01	1641B(ALEMITE)400 UNIV, GREASE FITT	1.000 EA
HW5100A08	W3118-035 WVY WSHR (WB)	1.000 EA
07EP1116A01	ENDPLATE, MACH	1.000 EA
HW4500A01	1641B(ALEMITE)400 UNIV, GREASE FITT	1.000 EA
XY3118A12	5/16-18 HEX NUT DIRECTIONAL SERRATION	4.000 EA
51XB1214A20	12-14X1.25 HXWSSLD SERTYB	1.000 EA
07FH4007SP	PRIMED	1.000 EA
51XW1032A06	10-32 X .38, TAPTITE II, HEX WSHR SLTD S	3.000 EA
09CB3501SP	CONDUIT BOX LID FOR 09CB3001 & 09CB3002	1.000 EA
09GS1013SP	09 GS FOR 09CB3501 LID - LEXIDE	1.000 EA
51XW2520A12	.25-20 X .75, TAPTITE II, HEX WSHR SLTD	2.000 EA
HW2501G25	KEY, 3/8 SQ X 2.875	1.000 EA
HA7000A03	KEY RETAINER RING 1.62 & 1.88 DIA. SH	1.000 EA
LB1115N	LABEL,LIFTING DEVICE (ON ROLLS)	1.000 EA
85XU0407S04	4X1/4 U DRIVE PIN STAINLESS	2.000 EA

Parts List (continued)		
Part Number	Description	Quantity
HA4051A00	PLASTIC CAP FOR GREASE FITTING	1.000 EA
HA4051A00	PLASTIC CAP FOR GREASE FITTING	1.000 EA
MJ1000A02	GREASE, MOBIL POLYREX EM - 124047	0.050 LB
37FN3002A01SP	EXFN, PLASTIC, 9.00 OD, 1.155 ID	1.000 EA
MG1000G27	MED CHARCOAL METALLIC GREY 400-0096	0.036 GA
HA3104A58T	THRUBOLT .31-18 X 14.500 W/SHRINK TUBING	4.000 EA
LB1119N	WARNING LABEL	1.000 EA
LC0013	CONNECTION LABEL	1.000 EA
NP1256L	ALUM UL CSA CC INDUSTRIAL MOTOR A60	1.000 EA
07PA1011	PKG GRP, 07 CAST IRON PK1181	1.000 EA
10XL3807A32	3/8 X 2" LAG SCREW TDR #49106	2.000 EA
MN416A01	TAG-INSTAL-MAINT no wire (1200/bx) 3/19	1.000 EA

Accessories		
Part Number	Description	Multiplier
37-1302	C FACE KIT	A8

AC Induction Motor Performance Data

Record # 36487 - Typical performance - not guaranteed values

Winding: 07WGX115-R002	Type: 0750M	Enclosure: TEFC
-------------------------------	--------------------	------------------------

Nameplate Data				460 V, 60 Hz: High Speed Connection	
Rated Output (HP)	10/4.4			Full Load Torque	30 LB-FT
Volts	460			Start Configuration	direct on line
Full Load Amps	12.5/6.7			Breakdown Torque	88 LB-FT
R.P.M.	1760/1170			Pull-up Torque	32 LB-FT
Hz	60	Phase	3	Locked-rotor Torque	61 LB-FT
NEMA Design Code	B	KVA Code	H	Starting Current	85 A
Service Factor (S.F.)	1.15			No-load Current	5.1 A
NEMA Nom. Eff.	0	Power Factor	0	Line-line Res. @ 25°C	1.47 Ω
Rating - Duty	40C AMB-CONT			Temp. Rise @ Rated Load	85°C
S.F. Amps				Temp. Rise @ S.F. Load	105°C

Load Characteristics 460 V, 60 Hz, 10 HP

% of Rated Load	25	50	75	100	125	150	S.F.
Power Factor	51	74	81	87	87	83	87
Efficiency	80.2	86.4	87.4	86.7	85.2	82.6	85.8
Speed	1789	1779	1767	1756	1742	1722	1748
Line amperes	5.8	7.4	10	12.5	15.8	20.2	14.5

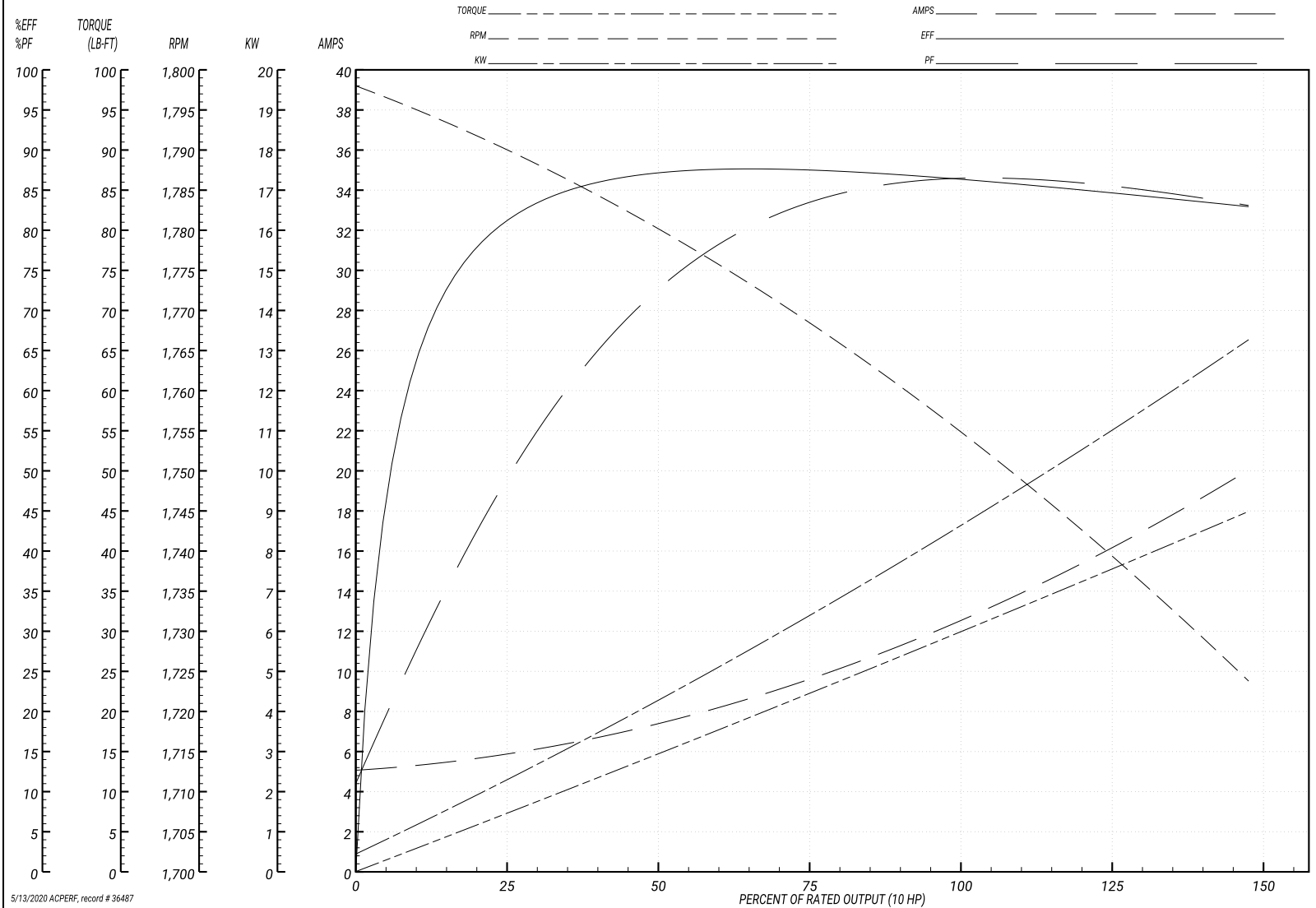
Performance Graph at 460V, 60Hz, 10.0HP Typical performance - Not guaranteed values

ABB Motors and Mechanical Inc.

WINDING # 07WGX115

Typical performance - not guaranteed values.

10 HP 3 PH 60 HZ 1756 RPM 460 V 0750M
 TORQUES(LB-FT): PO=88 PU=32 LR=61 LRA=85



5/13/2020 ACPERF, record # 36487

AC Induction Motor Performance Data

Record # 36488 - Typical performance - not guaranteed values

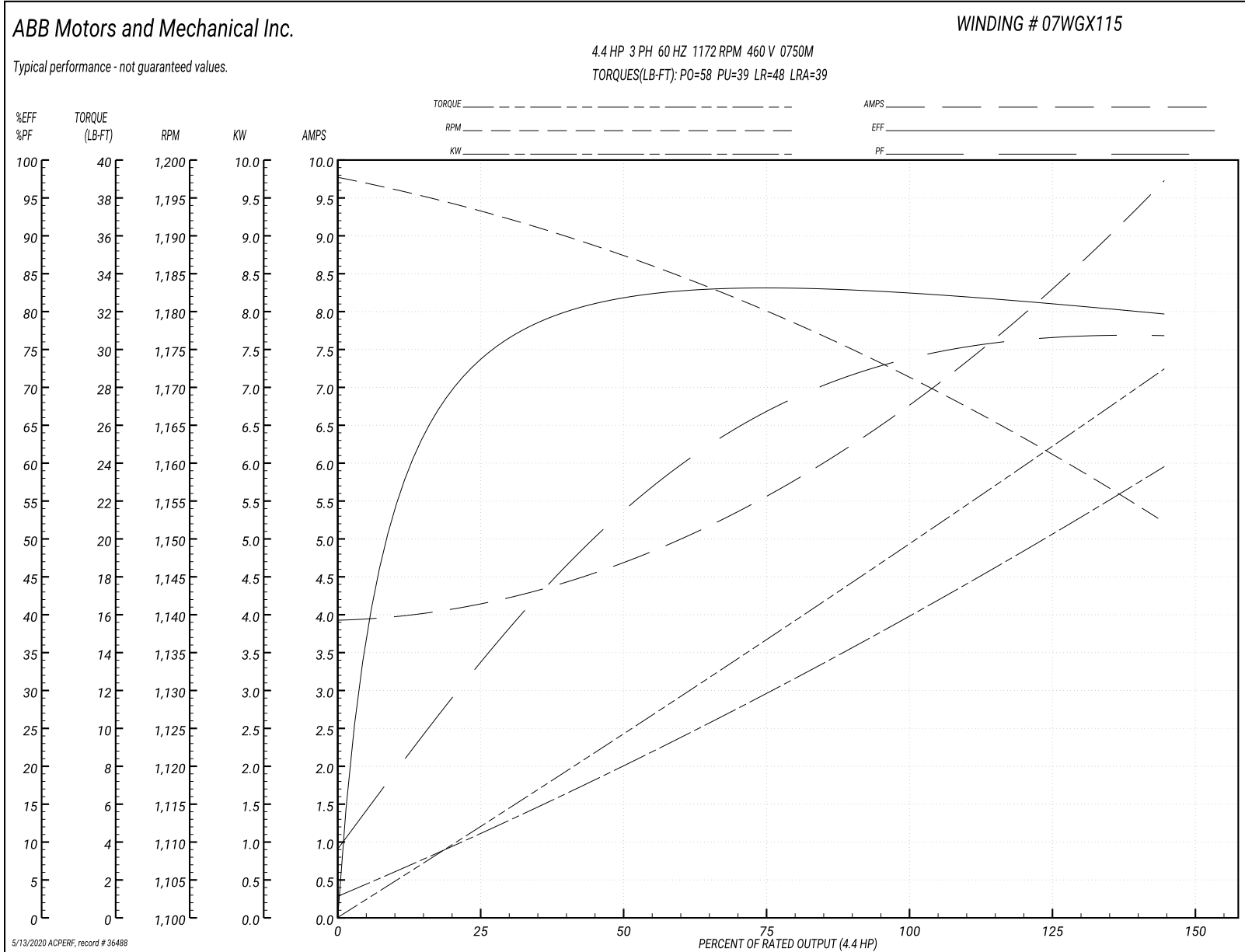
Winding: 07WGX115-R002	Type: 0750M	Enclosure: TEFC
-------------------------------	--------------------	------------------------

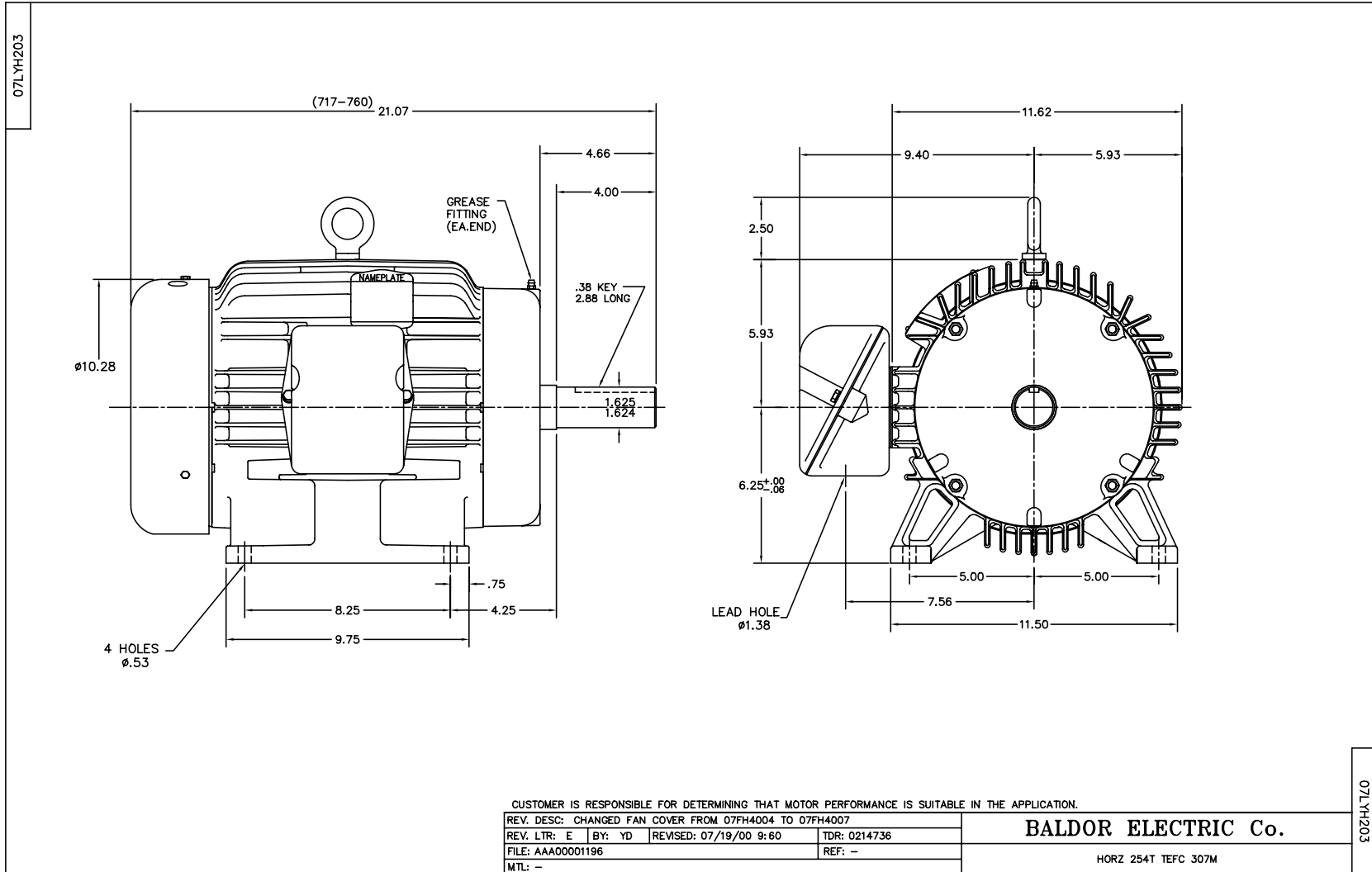
Nameplate Data				460 V, 60 Hz: Low Speed Connection	
Rated Output (HP)	10/4.4			Full Load Torque	19.3 LB-FT
Volts	460			Start Configuration	direct on line
Full Load Amps	12.5/6.7			Breakdown Torque	58 LB-FT
R.P.M.	1760/1170			Pull-up Torque	39 LB-FT
Hz	60	Phase	3	Locked-rotor Torque	48 LB-FT
NEMA Design Code	B	KVA Code	H	Starting Current	39 A
Service Factor (S.F.)	1.15			No-load Current	3.9 A
NEMA Nom. Eff.	0	Power Factor	0	Line-line Res. @ 25°C	4.26 Ω
Rating - Duty	40C AMB-CONT			Temp. Rise @ Rated Load	64°C
S.F. Amps				Temp. Rise @ S.F. Load	76°C

Load Characteristics 460 V, 60 Hz, 4.4 HP

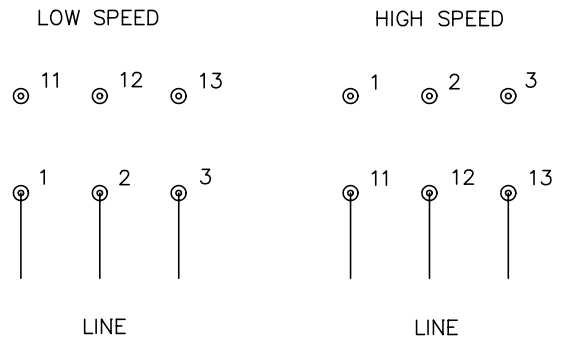
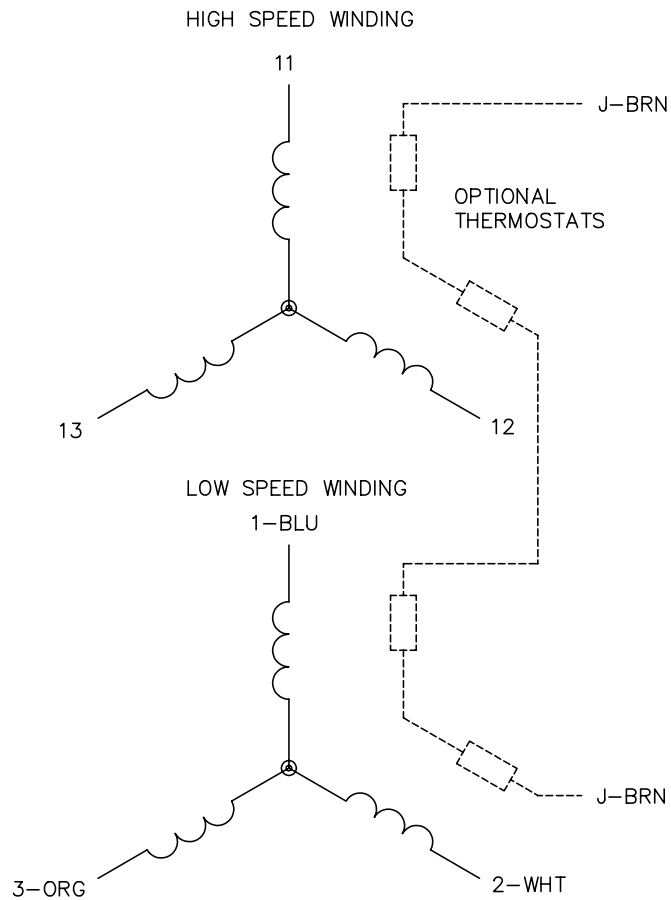
% of Rated Load	25	50	75	100	125	150	S.F.
Power Factor	33	54	68	73	76	77	75
Efficiency	74	80.9	83.1	82.9	81.4	79.6	82
Speed	1193	1187	1181	1172	1163	1152	1167
Line amperes	4.2	4.7	5.4	6.7	8.1	9.7	7.54

Performance Graph at 460V, 60Hz, 4.4HP Typical performance - Not guaranteed values





CD0013



NOTES:

1. INTERCHANGE ANY TWO LINE LEADS TO REVERSE ROTATION.
2. OPTIONAL THERMOSTATS ARE PROVIDED WHEN SPECIFIED.
3. ACTUAL NUMBER OF INTERNAL PARALLEL CIRCUITS MAY VARY.
4. LEAD COLORS ARE OPTIONAL. LEADS MUST ALWAYS BE NUMBERED AS SHOWN.

REV. DESC: REVISE TO SHOW OPTIONAL COLORS			
REV. LTR: D	BY: JLP	REVISED: 01/22/99 8:50	TDR: 0171435
Ω10000		FILE: AAA00005143	MDL: -
		MTL: -	

BALDOR ELECTRIC Co.

3PH, SV, 6 LEADS, 2-SPEED 2-WINDING

CD0013